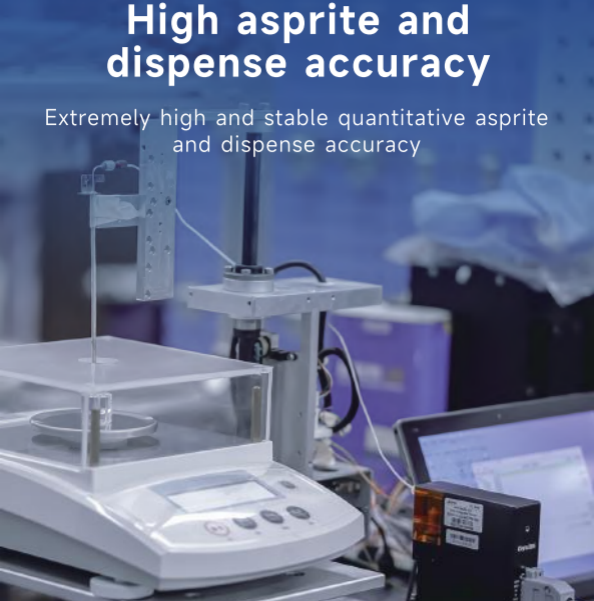


PISTON PUMP SERIES



High asprite and dispense accuracy

Extremely high and stable quantitative asprite and dispense accuracy



Up to 5 million cycles of service life

Single pump is capable of 500 million cycles



High chemical resistance

Wide selection of corrosion-resistant and sealing materials



Transparent material is more recognisability



Multi-interface, flexible for drive control unit



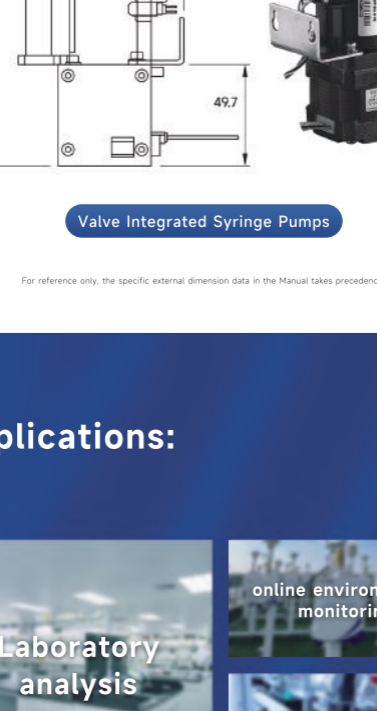
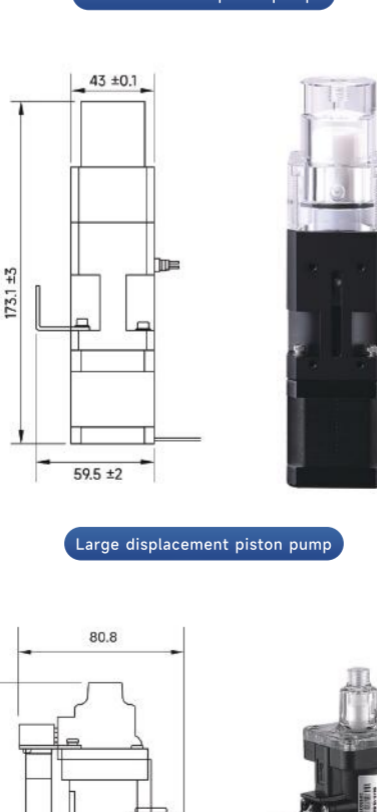
Product Specification:

Type	Regular Piston Pumps	Large Displacement Piston Pumps	Miniature Piston Pumps
Maximum Displacement(ul)	50/100/250 /500/1000/ 2500/5000	10000/20000	100/250 /500/1000
Plunger Diameter(mm)	2.24/3.17/5.01 /7.08/10.01/ 15.84/22.39	15.84/22.39	0.05/0.125 /0.25/0.5
Stroke(mm)	12.7	25.4/50.8	12.7
Lead S Optional(mm)	S=0.635 or 1.27、2.54	1.27	1.27
Lifetime (10,000 cycles)	500	200	300
Coefficient of varation (CV)	1.2%	1.2%	1.2%
Accuracy	2%	2%	2%
Working Pressure (MPa)	0.3	0.2	0.3
Port Connection	1/4-28 UNF or M6	1/4-28 UNF or M6	1/4-28 UNF or M6
Wetted Part Material	PMMA, POM, PTFE, PCTG, PPS...	PMMA, POM, PTFE...	PTFE, POM, PMMA...

If other types of reagents are used, testing and verification are required.

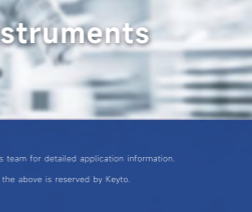
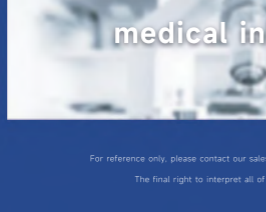
This specification table has been simplified. please reach our sales team for detailed information.

External Dimensions:



For reference only, the specific external dimension data in the Manual takes precedence.

Applications:



For reference only, please contact our sales team for detailed application information.

The final right to interpret all of the above is reserved by Keyto.